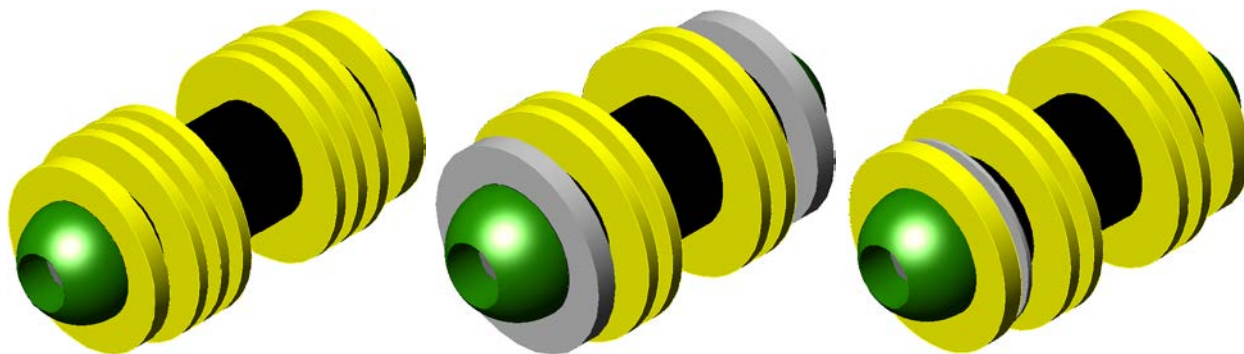


BI-DIRECTIONAL SPINDLE DISC PIG SPECIFICATION



Application

Spindle bodied pigs are used for a wide variety of applications, such as for flooding and dewatering, as well as cleaning and gauging operations. Pig configurations can also be modified to run a dual diameter pipe line.

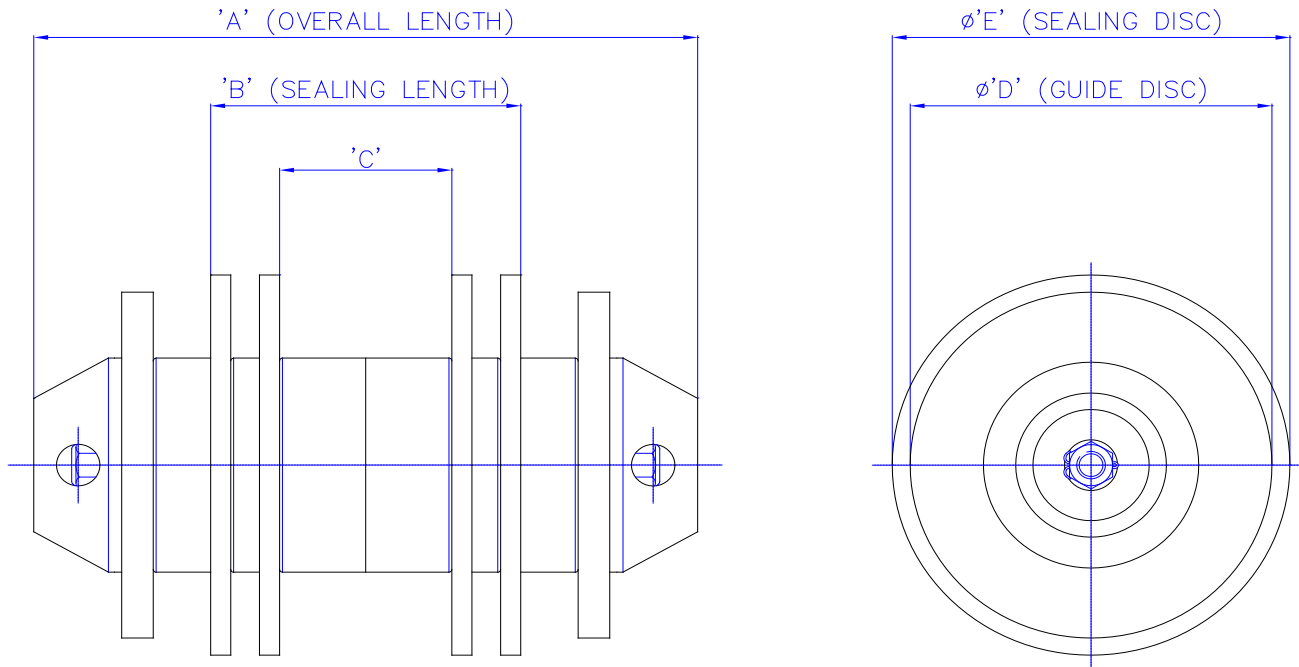
General Information

The details shown are for common pig arrangements, however various optional extras are available, some of which are listed below:-

- Cleaning Brushes
- De-waxing / De-scaling Pads
- Gauging Plate
- Polyurethane Bumper Nose
- Metallic Retaining Flange
- Long Run Support / Guide Discs
- High Performance Polyurethane
- Pluggable Bypass Ports
- Jetting Head
- Magnetic Body

Size range	2" – 14" nominal
Number of Discs	Typically, 4 Sealing Discs, 2 Support / Guide Discs
Bore Passing	Up to 10% bore restrictions (greater with changes in disc configuration)
Minimum Bend Radius	3D
Materials	Metallic parts – Carbon steel Pigging Discs – Diprane 54 Polyurethane elastomer

PRODUCT DATA FOR STANDARD BI-DIRECTIONAL SPINDLE PIG



PIG N.S.	'A' (mm)	'B' (mm)	'C' (mm)	'D'= SIZE BELOW PIPE I.Dia	'E'= SIZE ABOVE PIPE I.Dia	MINIMUM BEND RADIUS	WEIGHT (Kg)	PART No.
4"	200	100	56	1 to 3mm	6 to 10mm	3D	2.5	PBS.04.1001
5"	240	110	58	1 to 3mm	6 to 10mm	3D	3.2	PBS.05.1001
6"	300	135	80	1 to 3mm	6 to 10mm	3D	6.0	PBS.06.1001
8"	345	155	100	1 to 3mm	6 to 10mm	3D	8.6	PBS.08.1001
10"	455	210	120	1 to 3mm	6 to 10mm	1.5D	14.2	PBS.10.1001
12"	550	290	200	1 to 3mm	8 to 12mm	1.5D	19.2	PBS.12.1002
14"	565	295	195	1 to 3mm	8 to 12mm	1.5D	23.0	PBS.14.1002

General Information

All details shown above are for information only and are subject to changes. Fully detailed general arrangement drawings are available on request from our technical sales department.