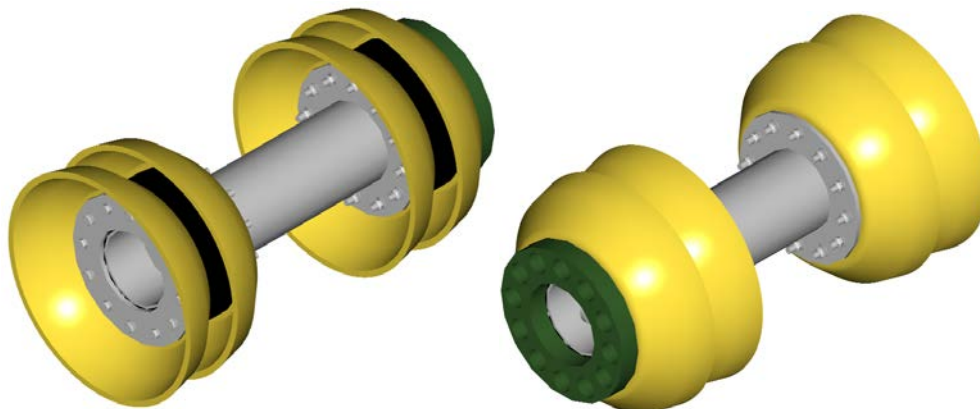


CONICAL CUP PIG SPECIFICATION



Application

This pig would be used largely in batching and dewatering operations. They are also widely used for pigging lines with large bore reductions.

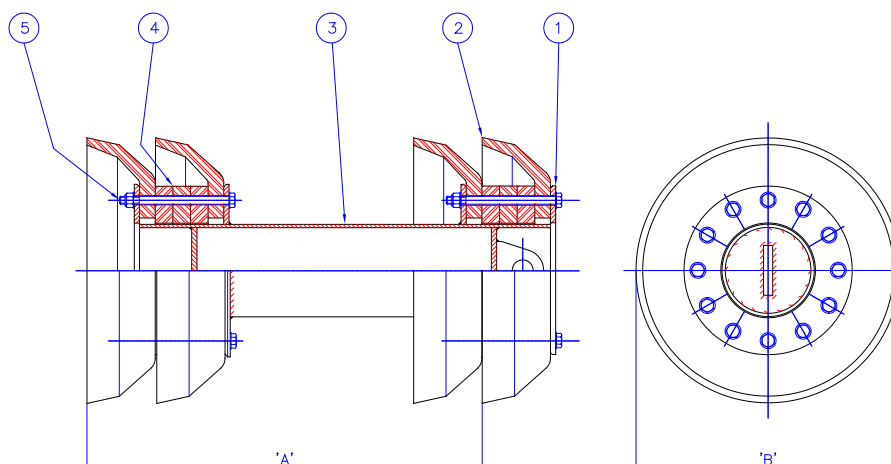
General Information

The details shown are for common pig arrangements, however various optional extras are available, some of which are listed below:-

- Cleaning Brushes
- De-waxing / De-scaling Pads
- Gauging Plate
- Polyurethane Bumper Nose or Retaining Flange
- Tracking Device
- Long Run Support Discs
- High Performance Polyurethane
- Stainless Steel Body
- Support Wheels
- Pluggable Bypass Ports
- Jetting Head
- Magnet Pack

Size range	2" – 60" nominal
Number of Cups	4 Conical cups
Bore Passing	Up to 5% bore restrictions
Minimum Bend Radius	3D
Materials	Metallic parts – Carbon steel Pigging Discs – Diprane 54 Polyurethane elastomer

PRODUCTION DATA FOR COMMON CONICAL CUP PIGS



ITEM	DESCRIPTION	MATERIAL	QTY
1	RETAINING FLANGE	MILD STEEL PLATE	2
2	PU DRIVING CUP	SHORE 75° A POLYURETHANE	4
3	BODY ASSEMBLY	MILD STEEL PLATE \ TUBE	1
4	SPACER DISC	SHORE 85° A POLYURETHANE	TO SUIT
5	FASTENINGS	PLATED MILD STEEL	TO SUIT

PIG N.S.	'A' (mm)	'B' (mm)	MINIMUM BEND RADIUS	WEIGHT (Kg)
2"	60	60	3D	6
4"	110	114	3D	8
6"	165	168	3D	10
8"	215	219	3D	30
10"	265	273	3D	50
12"	320	323	3D	60
14"	370	356	3D	70
16"	420	406	3D	70
18"	470	457	3D	100
20"	520	508	3D	110
22"	570	559	3D	150
24"	620	610	3D	200
26"	670	660	3D	210
28"	720	711	3D	250
30"	770	762	3D	300
32"	825	813	3D	320
34"	875	864	3D	350
36"	925	915	3D	380
40"	975	1016	3D	400
42"	1030	1067	3D	420
48"	1080	1220	3D	450
56"	1230	1422	3D	500
60"	1435	1525	3D	530

General Information

All details shown above are for information only and are subject to change. Fully detailed general arrangement drawings are available on request from our technical sales department.